



Stitching Perfection

U.S. BLINDSTITCH MACHINE COMPANY

IS A DIVISION OF NEW YORK SEWING MACHINE ATTACHMENT CORP.

MAINTENANCE CATALOG

SERIES: 1118, 1099, 718, 99
STANDARD SUBCLASSES

INSTALLATION AND OPERATING INSTRUCTIONS FOR U.S. BLINDSTITCH MACHINES

8555 Tonnelle Avenue, Unit 301, North Bergen, NJ 07047
Tel: 201-809-2009 • 1-800-225-2852 • FAX: 201-861-9201
email: machines@nysmac.com • www.nysmac.com • www.USBlindstitch.com

INDEX

Adjusting The Depth Of Needle Penetration	9
Adjusting The Knee Lifter.	7
Adjusting The Length Of Stitch	11
Adjusting The Stitch Line Location.	9
Adjusting The Thread Tension	9
Inserting The Work In The Machine	8
Installation And Operating Instructions	4 thru 7
Looper Drive Group	23
Lubricating The Machine	8
Main Group	19
Maintenance Instructions for 1118, 1099 & 1108 Series	13 thru 18
Needles	12
Replacing the Feeder.	18
Replacing the Looper	13 & 14
Replacing the Needle.	12
Replacing the Needle Guide	16
Threading the Machine	7
Threading the Shoe	16
I nuhine fU Se. VbghUindstitchl VbghUNeedles VkiU. . VfU. . .VfU . . .VfU . . .VfU . . .VfU . . .V	
lhel.	

U.S. BLIND STITCH MACHINE CO.

IS A DIVISION OF NEW YORK SEWING MACHINE INC.

8555 Tonnelle Avenue, Unit 3, North Bergen, NJ 07047 • www.usblindstitch.com
 Tel: 201-809-2009 • 1-800-225-2852 • FAX: 201-861-9201 • email: machines@nysmac.com

INSTALLATION AND OPERATING INSTRUCTIONS

I. UNPACKING AND INSTALLING THE MACHINE

A. UNPACKING

1. Cardboard Carton: Open the carton and remove the corrugated liner. Insure that the envelope containing the accessories is not misplaced or accidentally discarded. Lift the machine out of the carton with the plywood base still attached. Next, remove the bolts attaching the plywood base, and set the bolts aside for use in mounting the machine.

B. FITTING THE MACHINE TO THE TABLE TOP

1. The machine should be mounted on a blank table top, if possible.

C. LOCATING THE MACHINE WITH RESPECT TO THE TABLE EDGE

1. The specific location will depend upon the style and model of the machine being mounted.
 - a. Models without work plates, such as the 1099-PB-1 etc., are set even with the front edge of the table top.
 - b. Models with regular size work plates (swing-away or stationary), such as the 1118-1108 etc., are set with the work plate extended one inch (1") to one and one half inches (1") beyond the front edge of the table top.
 - c. Models with extra-large work plates are set back far enough from the front edge of the table top to permit mounting of the support post. The edge of the support post should be set back about one inch (1") from the forward edge of the table top.
 - d. These locations may be varied somewhat to suit the comfort of the operator and the nature of the particular type of work to be handled. In all cases it is extremely important to insure that the lifter rod will clear the edge of the table.
2. After establishing the position of the machine as noted above, move it sideways until the machine handwheel lines up with the motor drive pulley. The belt slot may now be cut in the table top. Install the belt to insure that the correct machine location has been established. Mark the center of the bolt holes in the base of the machine, and remove the machine from the table top. Drill 3/8" holes for the mounting bolts, place the felt pad, supplied with each machine, on the table top, replace the machine in its proper location and install the attaching bolts, washers and nuts. Insure that the machine is firmly clamped in position and the bolts securely fastened.
3. Position the thread stand behind the machine to the right of the handwheel, and secure in place with the supplied wood screws.

D. MOTOR DRIVE

1. The machine is shipped with a handwheel and pulley combination which is properly sized to insure operation at the correct speed when used in accordance with the following recommendations.
 - a. When an individual motor and clutch unit is employed, it is recommended that the motor be rated at 1/3 HP and 1725/1750 RPM. On all standard models, a 3" pulley should be used. On models intended for alteration work such as the 1118-2, a 2" pulley should be used.
 - b. When the machine is mounted on a power table stand, a 4" pulley should be employed. If at all possible, when using such stands, the machine should be so mounted so as to avoid twisting the belt.
 - c. The maximum machine speed recommended for any installation is 3000 RPM, unless otherwise specified.
2. The machine should be mounted so as to insure that the direction of rotation of the handwheel is away from the operator. In other words, the handwheel rotates in a clock-wise direction when looking at the face of the wheel pulley, as shown by the arrow in **Figure 1**.
3. Either V-beltting or round leather beltting may be used. When installing the belt use Just enough tension to prevent slippage. Excessive tension will cause rapid belt wear and can possibly damage the machine.

U.S. BLINDSTITCH MACHINE CO.

IS A DIVISION OF NEW YORK SEWING MACHINE INC.

8555 Tonnelle Avenue, Unit 3, North Bergen, NJ 07047 • www.usblindstitch.com
Tel: 201-809-2009 • 1-800-225-2852 • FAX: 201-861-9201 • email: machines@nysmac.com

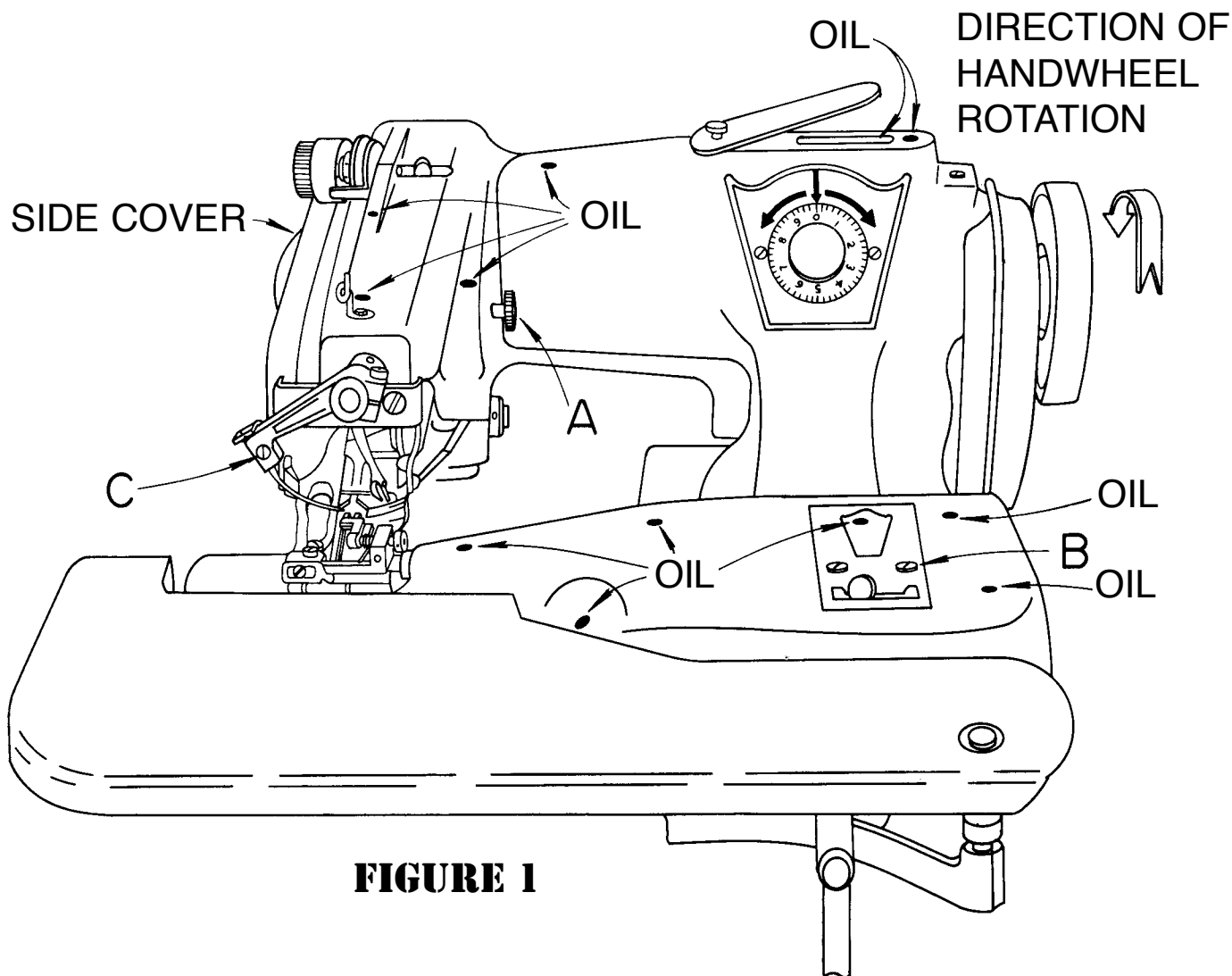


FIGURE 1

CAUTION: BEFORE OPERATING THE MACHINE LUBRICATE IN ACCORDANCE WITH THE INSTRUCTIONS IN THE FOLLOWING SECTION.

II. OPERATING INSTRUCTIONS

A. LUBRICATING THE MACHINE

1. Before operating the machine, it is extremely important that it be properly lubricated in accordance with the following instructions. The use of **GOOD QUALITY MACHINE OIL** is recommended, **do not use stainless oils or motor oil.**
2. Place a few drops of oil at all the points shown on the oiling chart in **Figure 1**. Remove the side cover shown on **Figure 1** by loosening the cover attaching bolt "A". Then place a few drops of oil at all the points shown on the oiling chart in **Figure 2**.
3. In production use, the machine should be oiled on a daily basis in accordance with the instructions in item 2 above.

U.S. BLIND STITCH MACHINE CO.

IS A DIVISION OF NEW YORK SEWING MACHINE INC.

8555 Tonnelle Avenue, Unit 3, North Bergen, NJ 07047 • www.usblindstitch.com

Tel: 201-809-2009 • 1-800-225-2852 • FAX: 201-861-9201 • email: machines@nysmac.com

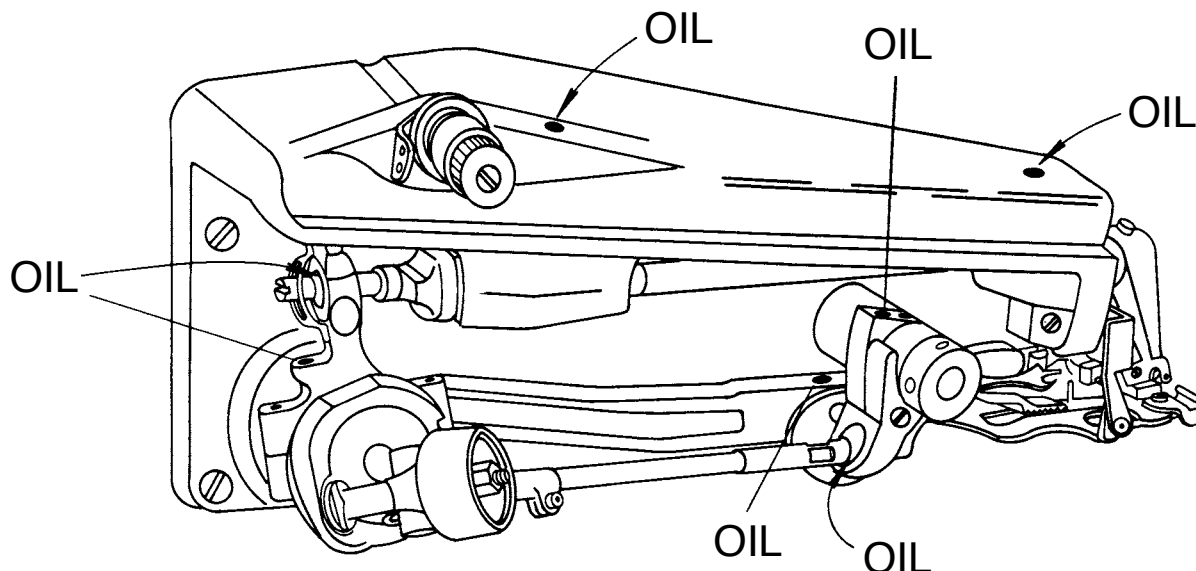


FIGURE 2

4. For special purpose machines DP MODEL equipped with two main bearing gravity feed oil cups, it is necessary to insure that sufficient oil is maintained in the visible reservoir. The addition of oil is readily accomplished through the conveniently located filler hole on top of the reservoir. When the toggle on top of these oil cups is in the upright position, a metered amount of oil is continuously delivered from the reservoir to the bearing. If the machine is to be left idle for any period of time, the toggle should be flicked to the horizontal position in order to shut off the oil flow. It is important to note that machines equipped with these gravity feed oil cups must also be lubricated in accordance with the instructions in item 2 above, except for the two locations where the oilers are found.

5. The electric motor drives should be lubricated in accordance with the motor manufacturer's recommendations.

B. ADJUSTING THE KNEE LIFTER

1. In order to insure optimum operator comfort, the knee lifter has been provided with 2 adjustments.

a. The lifter pad may be moved up and down the lifter rod by loosening the set screw on the back of the pad, moving it to the proper knee height, and retightening the set screw.

b. The lifter rod itself may be moved from left to right as follows: Loosen the screw attaching the small window plate on top of the feed frame (*see Figure 1, item "B"*) and swing this plate out of the way. By inserting a screw driver into the window, the two screws which lock the lifter rod to the lifter rod bracket may be loosened. Move the rod to the desired location and tighten the two lifter rod bracket screws. Replace the window plate in its proper location and tighten the window plate screws.

C. THREADING THE MACHINE

1. Use any type of thread which is suitable for the work being sewn. This includes mercerized, silk and synthetic threads.

2. Prior to starting the threading operation, the handwheel should be turned in the direction away from the operator until the needle reaches the extreme left hand portion of its swing. This will put it into the most convenient position for threading.

U.S. BLINDSTITCH MACHINE CO.

IS A DIVISION OF NEW YORK SEWING MACHINE INC.

8555 Tonnelle Avenue, Unit 3, North Bergen, NJ 07047 • www.usblindstitch.com

Tel: 201-809-2009 • 1-800-225-2852 • FAX: 201-861-9201 • email: machines@nysmac.com

3. Referring to the threading chart in **Figure 3**, it can be seen that the threading procedure is a simple one. The thread is passed from front to back through the rear thread guide hole "A". It then slides between the two tension discs "B" and is brought out to the right of the guide arm "C". Carried forward, the thread is passed through the front thread guide "D" and down through the needle clamp guide hole "E". It then is passed through the eye of the needle "F", entering on the underside of the needle and being removed at the top. The thread should be pulled through to extend past the eye of the needle by a few inches.

D. INSERTING THE WORK IN THE MACHINE

1. Prior to inserting the work, the handwheel should be turned in the direction away from the operator until the needle reaches the extreme left hand portion of its swing.
2. The knee lifter is then pressed to the right which drops the feed frame and creates a gap between the presser foot and the platters.
3. The work is inserted underneath the presser foot and the edge of the hem fold or the ribbon edge is lined up with the center of the spring-loaded cloth retainer or "shoe". The lifter is then released which locks the work in position. It is very important to insure that during machine operation, the operator's knee is not permitted to rest against the knee lifter. This can effect needle penetration and result in non-uniform stitch quality.

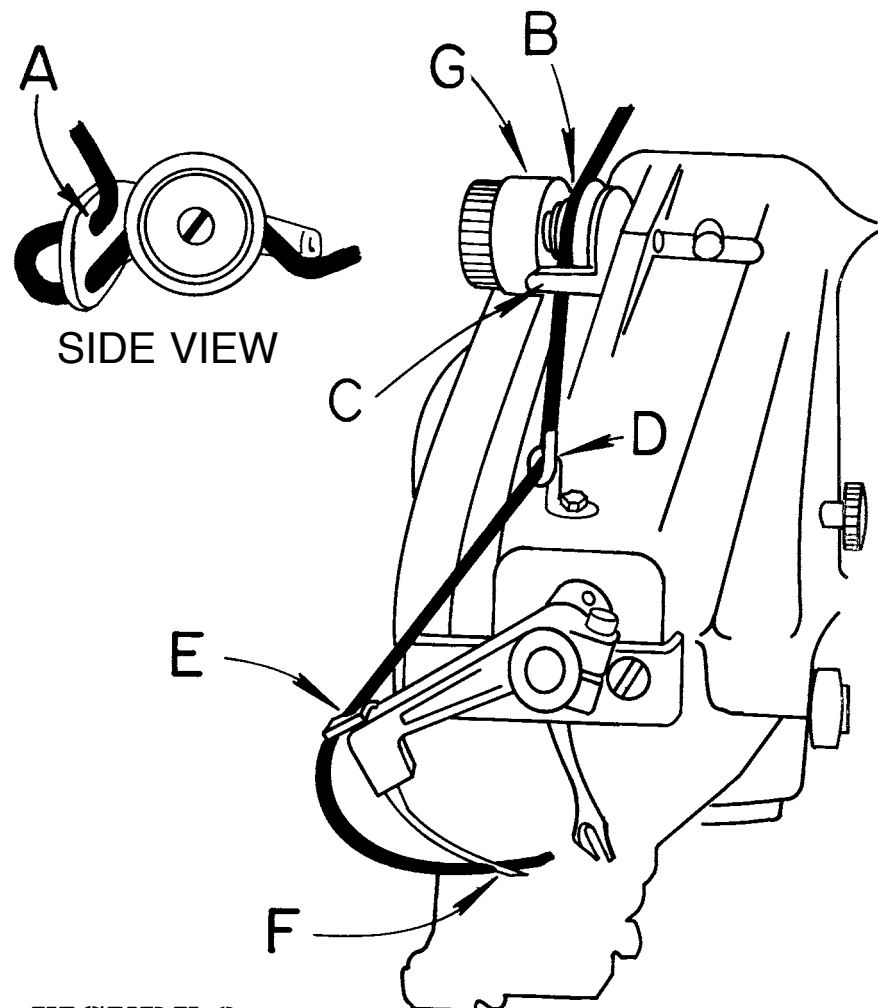


FIGURE 3

U.S. BLIND STITCH MACHINE CO.

IS A DIVISION OF NEW YORK SEWING MACHINE INC.

8555 Tonnelle Avenue, Unit 3, North Bergen, NJ 07047 • www.usblindstitch.com

Tel: 201-809-2009 • 1-800-225-2852 • FAX: 201-861-9201 • email: machines@nysmac.com

4. A trial run should now be made along a few inches of work. Do not attempt to pull the work through the machine as the machine will feed it automatically at the proper rate. The operator merely needs to guide the work by resting it against the edge guide located on the presser foot.

E. ADJUSTING THE STITCH LINE LOCATION

1. If, on the trial run, it is found that the stitch formation has missed the edge of the hem fold or ribbon, the edge guide, which is located at the front of the presser foot, should be moved to the left.
2. If it is found that the stitch formation is too far past the edge of the hem fold or ribbon, the edge guide should be moved to the right.

F. ADJUSTING THE THREAD TENSION

1. Insufficient thread tension will result in a loose, poorly holding stitch. If the trial run indicates this to be the case, turn the tension nut (*item "G" in Figure 3*) to the right, thus increasing thread tension.
2. Too much thread tension may result in puckering of the work, thread breakage, and skipped loops. If this happens, turn the tension nut to the left, loosening the thread tension.

G. ADJUSTING THE DEPTH OF NEEDLE PENETRATION

1. Because of the large variation in the thickness and nature of the fabrics encountered in production operations, U.S. BLIND STITCH machines incorporate a simple and convenient device to compensate for these variations. The exact degree of needle penetration desired is obtained by merely turning the penetration dial conveniently located on the front of the machine as shown in *Figure 4*.

2. The amount of needle penetration of the work which is obtained is governed by the gap between the needle and the oscillating rib which feeds the work into the needle. This is illustrated by the two views at the bottom of *Figure 4*. The view at the left shows a minimum gap which would be used with thinner fabrics, and the view at the right shows a large gap which would be employed with the heavier fabrics. Extremely fine adjustments between these two extremes is readily obtainable.

3. Every machine shipped from the factory has been carefully sewn-off and the needle penetration adjusted exactly for the fabric used during the sew-off operation. When different fabrics are employed in the actual production operation it will, of course, be necessary to readjust the penetration as follows:

a. If the needle skips material or a generally deeper and stronger penetration is desired, turn the knob on the regulating dial (*See Figure 4*) a few clicks to the left in the direction of the arrow indicating "More". This will raise the rib closer to the needle and provide more penetration. This adjustment should be made gradually, moving only a few clicks at a time, until exactly the correct amount of penetration is obtained.

b. If too deep a penetration is obtained, turn the knob on the regulating dial (*See Figure 4*) a few clicks to the right in the direction of the arrow indicating "Less". This will lower the rib and provide less penetration.

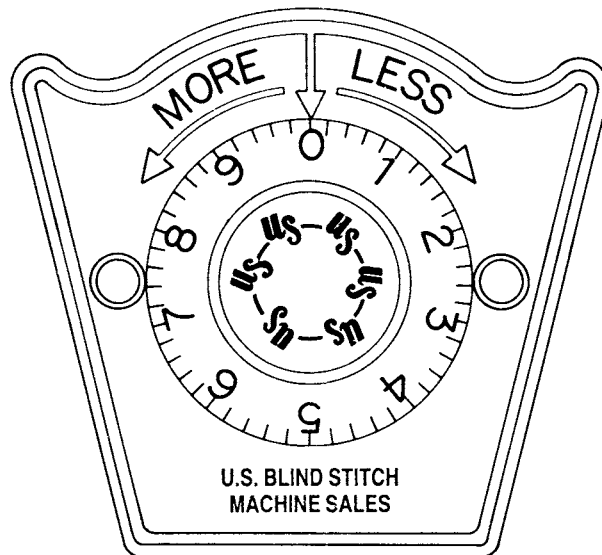
c. If the machine has been maintained in the proper adjustment, it should never be necessary to move too far in either the "More" or "Less" direction in order to obtain the proper penetration. If a change in excess of four or five numbers on the dial is required without achieving the proper penetration, the needle should be carefully inspected. A blunted or feathered needle will not provide the proper penetration. If a good needle is installed and it still does not catch the material, it is likely that the knob has been turned one or more full revolutions out of adjustment. If for this or any other reason it becomes necessary to reset the penetration dial to the correct position, the following procedure should be used.

U.S. BLINDSTITCH MACHINE CO.

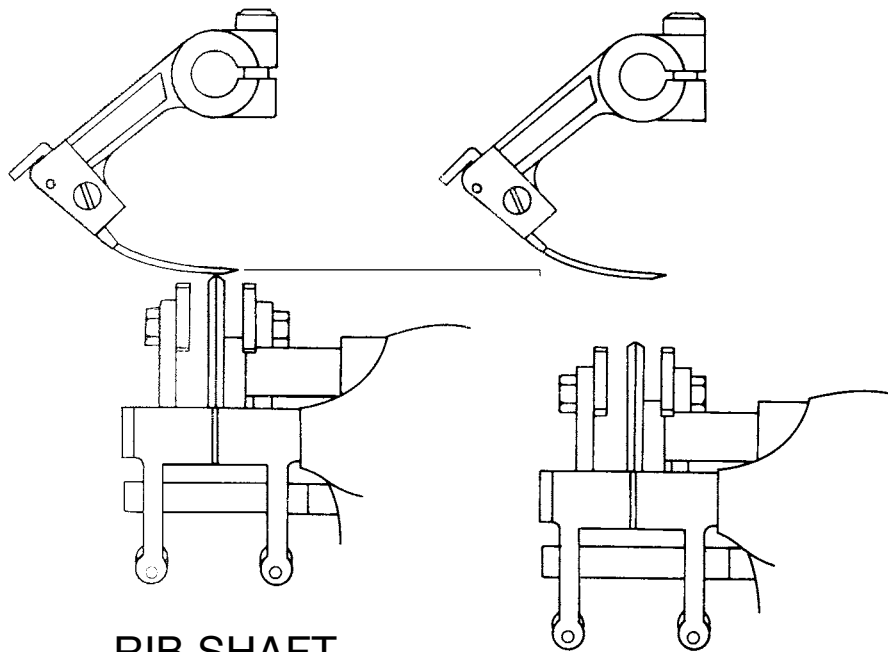
IS A DIVISION OF NEW YORK SEWING MACHINE INC.

8555 Tonnelle Avenue, Unit 3, North Bergen, NJ 07047 • www.usblindstitch.com

Tel: 201-809-2009 • 1-800-225-2852 • FAX: 201-861-9201 • email: machines@nysmac.com



PENETRATION DIAL



RIB SHAFT
ADJUSTMENT
FOR - MORE -

RIB SHAFT
ADJUSTMENT
FOR - LESS -

FIGURE 4

U.S. BLIND STITCH MACHINE CO.

IS A DIVISION OF NEW YORK SEWING MACHINE INC.

8555 Tonelle Avenue, Unit 3, North Bergen, NJ 07047 • www.usblindstitch.com
Tel: 201-809-2009 • 1-800-225-2852 • FAX: 201-861-9201 • email: machines@nysmac.com

1. On skip-stitch models place the skip-stitch ratio lever in the 1 to 1 position.
2. Turn the handwheel in the proper direction until the point of the needle is directly over the center (or high point) of the rib.
3. Turn the knob to the left "More" until the rib just barely touches the point of the needle.
4. Make another test run and adjust the knob in accordance with (a) and (b) above.

H. ADJUSTING THE LENGTH OF STITCH

1. It is rarely necessary to change the length of the stitch on U.S. BLIND STITCH machines once they have been preset at the factory. However, in the event that the need does arise, the simple procedure outlined below should be followed:
2. Remove the side cover by loosening the attaching screw (*item "A" in Figure 1*) and observe the machine from the rear.
3. The numbered disc (*item "A" in Figure 5*) is called the stitch regulating collar. The position of this collar with respect to a notch on the rim of the feed eccentric (*item "B" in Figure 5*) determines the length of stitch. Before changing the length of the stitch, note the original setting of the notch with respect to the stitch regulating collar.
4. Loosen the screw (*item "C" in Figure 5*) which locks the stitch regulating collar in position. Insert a screwdriver blade in the split on the stitch regulating collar which will be found directly beneath the locking screw. While holding the screwdriver firmly in position, move the handwheel until the notch on the rim of the feed eccentric is lined up with the desired number on the stitch regulating collar. To increase the length of stitch from the original setting, move the notch to a higher number. To decrease the length of stitch from the original setting, move the notch to a lower number.
5. Before retightening the stitch regulating collar locking screw, turn the handwheel slowly by hand and observe to insure that no interference has been created between the feed dog and the presser foot and looper.
6. After the correct adjustment has been established, the stitch regulating collar locking screw should be retightened. When retightening the screw, however, pull the handwheel to the right and hold it in that position until the screw is completely tight. This will assist in the proper reseating of the stitch regulating collar.

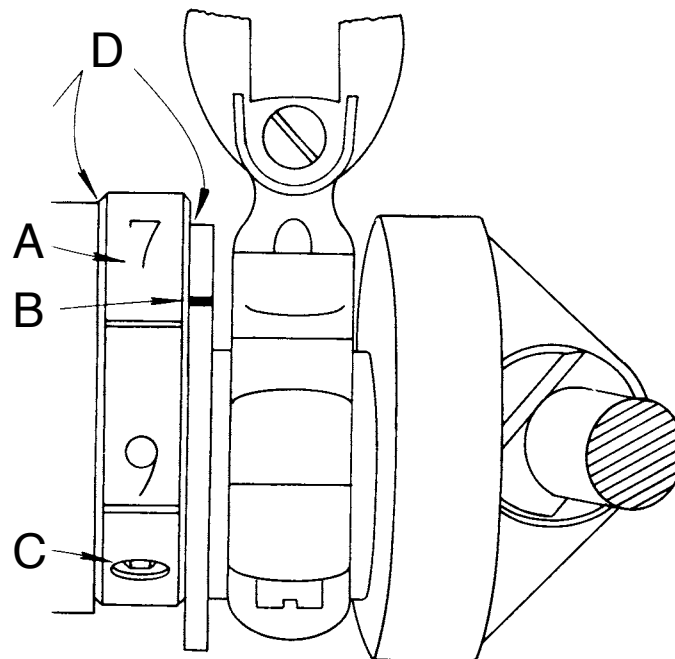


FIGURE 5

U.S. BLINDSTITCH MACHINE CO.

IS A DIVISION OF NEW YORK SEWING MACHINE INC.

8555 Tonnelle Avenue, Unit 3, North Bergen, NJ 07047 • www.usblindstitch.com
 Tel: 201-809-2009 • 1-800-225-2852 • FAX: 201-861-9201 • email: machines@nysmac.com

7. After completing the adjustment, thoroughly oil the feed lever and eccentric, particularly in the area indicated by "D" in **Figure 5**; and replace the side cover.

I. REPLACING THE NEEDLE

1. U.S. needles are designed and manufactured specifically to meet the precise sewing requirements of the U.S. BLIND STITCH MACHINES. Because of the importance of a properly designed needle in achieving consistent high quality stitching, it is extremely important that only GENUINE U.S. NEEDLES be used at all times.

2. When it becomes necessary to replace worn or damaged needles, the following procedure should be followed:

a. Turn the penetration dial to the right ("Less") three or four numbers to insure that the rib is lowered sufficiently to clear the needle.

b. Loosen the needle clamp screw (**item "C" in Figure 1**), slide the clamp rearward sufficiently to release the old needle, and remove and discard it. Insert the new needle and push it up into the groove of the needle lever as far as it will go. Make sure that the flat on the shank of the needle faces rearward and the needle is properly seated in the groove. Tighten the needle clamp screw and turn the handwheel slowly making sure that the needle passes lightly over the needle guide on the presser foot and clears the looper. Readjust the needle penetration as described in a previous section, prior to resuming operation.

3. When it becomes necessary to replace worn or damaged needles, the following procedure should be followed:

a. Turn the penetration dial to the right ("Less") three or four numbers to insure that the rib is lowered sufficiently to clear the needle.

b. Loosen the needle clamp screw (**item "C" in Figure 1**), slide the clamp rearward sufficiently to release the old needle, and remove and discard it. Insert the new needle and push it up into the groove of the needle lever as far as it will go. Make sure that the flat on the shank of the needle faces rearward and the needle is properly seated in the groove. Tighten the needle clamp screw and turn the handwheel slowly making sure that the needle passes lightly over the needle guide on the presser foot and clears the looper. Re-adjust the needle penetration as described in a previous section, prior to resuming operation.

4. NEEDLES

NEEDLE SIZES AVAILABLE

Use Genuine U.S. BLIND STITCH Needles for Best Results

Long Needles – System 251

Regular Point Sizes	Ball Point Sizes	Spear Point Sizes
00	10	10
10	15	15
15	20	20
20	25	25
25		30
30		35
35		65
40		
55		

Short Needles Also Available – Ask For List

U.S. BLIND STITCH MACHINE CO.

IS A DIVISION OF NEW YORK SEWING MACHINE INC.

8555 Tonnelle Avenue, Unit 3, North Bergen, NJ 07047 • www.usblindstitch.com

Tel: 201-809-2009 • 1-800-225-2852 • FAX: 201-861-9201 • email: machines@nysmac.com

III. – MAINTENANCE INSTRUCTIONS FOR 1118, 1099 & 1108 SERIES

INTRODUCTION

- A. Replacing the Looper
- B. Replacing the Needle Guide
- C. Replacing the Shoe
- D. Replacing the Feeder

MAINTENANCE INSTRUCTIONS

INTRODUCTION

All U.S. BLIND STITCH machines are designed for long life and trouble-free performance. When installed and lubricated in accordance with the INSTALLATION AND OPERATING INSTRUCTIONS, only the minimum maintenance normally associated with industrial sewing machines will be required. These maintenance requirements will generally be confined to the four locations described below, at which wear may be expected after extended use. When such wear does occur, the worn part may be readily replaced by following the appropriate instructions. For ease of installation, and to insure satisfactory service, it is essential that only genuine U.S. BLIND STITCH parts and needles are used. They are the only parts designed specifically for the machine, with the built-in long life and excellent wearing characteristics typical of the U. S. BLIND STITCH machine.

A. REPLACING THE LOOPER

1. Should it become necessary to replace the looper (*item "B" in Figure 6*), loosen the looper clamp screw (*item "A" in Figure 6*) and remove the old looper. Because of the precise fit of the looper in the looper rod it may be necessary to exert a moderate amount of force to pull the looper out. Insert the new looper into the end of the rod as far as it will go before bottoming on the looper shoulder.

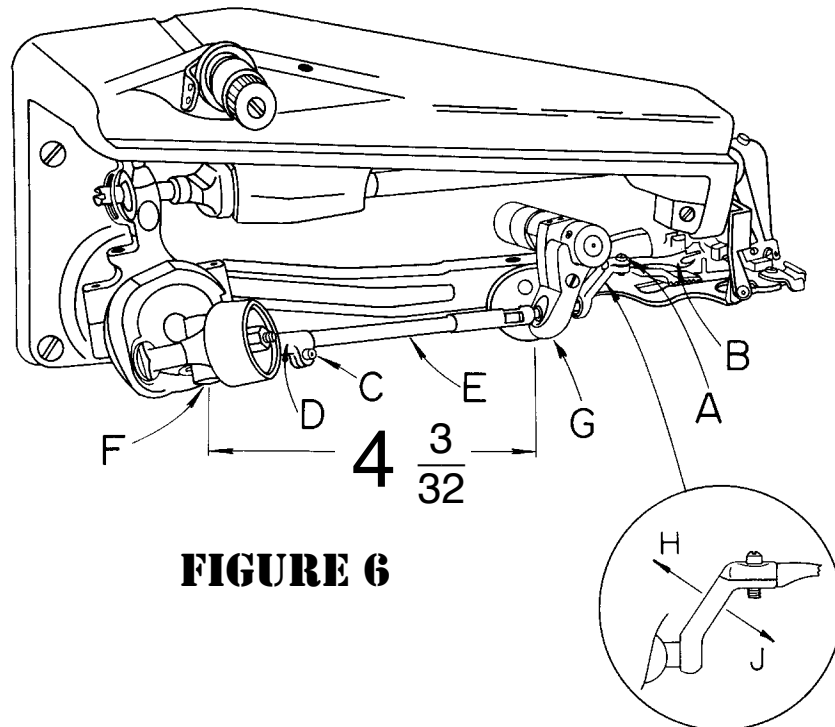


FIGURE 6

U.S. BLINDSTITCH MACHINE CO.

IS A DIVISION OF NEW YORK SEWING MACHINE INC.

8555 Tonnelle Avenue, Unit 3, North Bergen, NJ 07047 • www.usblindstitch.com
Tel: 201-809-2009 • 1-800-225-2852 • FAX: 201-861-9201 • email: machines@nysmac.com

2. Any time a looper is moved or changed, recheck the looper timing and reset if necessary. Proper looper timing is absolutely essential for correct stitch formation. As described in detail below, a properly timed looper will pass over the needle in the correct position to pick up the loop, and also clear the chain-off pin, feeder, looper slot, and needle. The first check point for timing the looper is at the position where the looper picks the thread loop off the needle during the needle return stroke. Referring to **Figure 7, (Point "C")**, the long prong of the looper should pass over and just clear the scarf of the needle, approximately $3/32"$ (2.4mm) behind the end of the needle eye. At the same time, the short prong of the looper should pass over the needle with about $1/64"$ (.406mm) clearance, and must be set that it also clears the chain-off pin (**item "D" in Figure 7**).
3. To adjust the looper so that the timing checks out as noted in paragraph 2, it may be rotated within its clamp by a limited amount. This adjustment should be made with the looper clamp screw (**item "A" in Figure 6**) loosened, and the looper bottomed against its shoulder. Do not move the looper in or out, and do not attempt to force the looper to turn beyond the limited amount of travel available.
4. If the adjustment described in paragraph 3 is insufficient to provide the correct timing, it will be necessary to turn the looper rod (**item "E" in Figure 6**) itself. This may be accomplished by loosening with looper rod clamp screw (**item "C" in Figure 6**). The rod is then free to turn in the looper rod fork (**item "D" in Figure 6**). It will normally be necessary to make only a very small adjustment in order to get the looper into the correct rotational position for proper timing. If, for any reason, the rod has been removed or the basic setting of the looper rod has been disturbed by a large amount, it may be reset by noting that the distance from the center of the looper rod fork pin (**item "F" in Figure 6**) to the rear face of the looper rod ball (**item "G" in Figure 6**) is normally $4 \text{ } \& \text{ } 3/32$ inches (104mm) (**refer to Figure 6**). If the rod is set to this dimension then only minor adjustment will be required to bring the looper into the correct timing position. Note that this dimension is merely a guide to assist in setting a rod and variations may be expected from machine to machine.
5. If, after completing the above adjustments, it is found that the looper is either too low or too high, it will be necessary to adjust the eccentric stud. First loosen the two set screws (**item "A" in Figure 7**). Place a wide blade screwdriver in the slot of the eccentric stud (**item "B" in Figure 7**) and, using a slight turning motion, raise or lower the looper as required. Once the proper height is established, check to see whether the looper must be moved to the left or to the right prior to retightening the eccentric block set screws. If such a movement is required, it may be obtained by lightly tapping the eccentric block in the correct direction with the handle of a screwdriver.

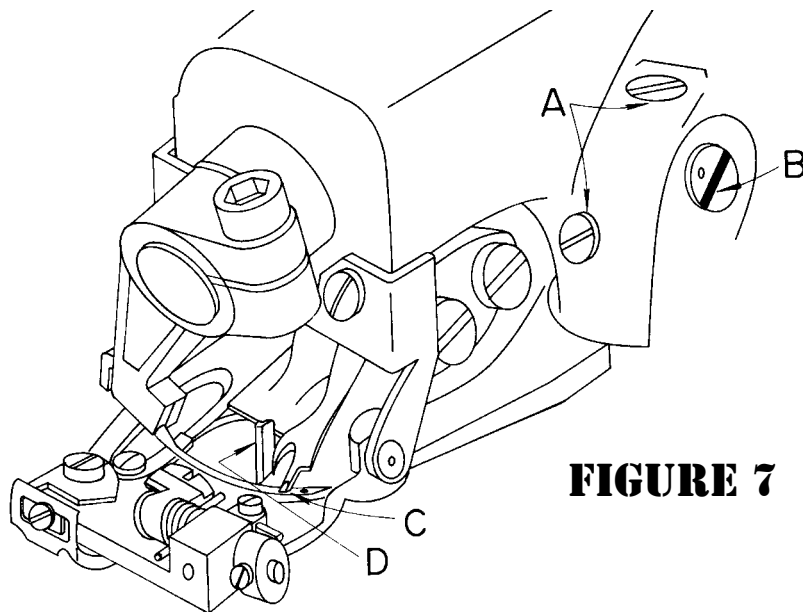


FIGURE 7

U.S. BLIND STITCH MACHINE CO.

IS A DIVISION OF NEW YORK SEWING MACHINE INC.

8555 Tonnelle Avenue, Unit 3, North Bergen, NJ 07047 • www.usblindstitch.com

Tel: 201-809-2009 • 1-800-225-2852 • FAX: 201-861-9201 • email: machines@nysmac.com

6. Once the looper is timed with respect to the needle as outlined in paragraphs 2 thru 5 above, slowly turn the handwheel in a direction away from the operator, until the looper approaches the edge of the looper slot. (**Point "C" in Figure 8**) in the presserfoot. At this point make sure the small prong of the looper clears this edge. If it does not clear, adjust the eccentric block as outlined in paragraph S until the interference is eliminated.

6A. If timing of looper still proves difficult, its possible that looper sweep required adjustment. If looper is too close to chain off pin and also, too close to needle guide on opposite position, the looper sweep is too short.

If looper on pick up stroke, is too far to right of chain off pin and too close to needle rest at left of presserfoot, the looper sweep is too wide.

For adjustment, refer to insert illustration (**Figure 6**). To widen looper sweep, ***flex or bend looper crank*** in direction of arrow "H".

To shorten loopersweep, ***flex or bend looper crank*** in direction of arrow "J"

Both adjustments should be gradual and sweep checked frequently.

7. Continue turning the handwheel away from the operator until the point of the needle starts to enter the area in between the looper prongs. (**Refer to Point "D" in Figure 8**). If the needle strikes the crotch of the looper, the looper has generally been set too far forward. Check to see if the looper has been inserted into the clamp as far as it will go. It should be inserted until the shoulder on the looper is stopped on the clamp. If this check is satisfactory, recheck the distance from the center of the looper rod fork pin to the rear face of the looper rod ball. Refer to paragraph 4 and reset if necessary. If neither of the above two measures corrects the problem, it is possible that the needle lever may be set too low and required adjustment.

8. Once clearance is established between the needle and the looper crotch, continue turning the handwheel away from the operator until the needle passes between the looper prongs, clearing both the long and the short prong. If difficulty is experienced at this point, it may be necessary to modify some of the previous adjustments to the eccentric block or the looper rod length. If this is done, recheck the previous points to insure that a position is established which will satisfy all of the clearance conditions.

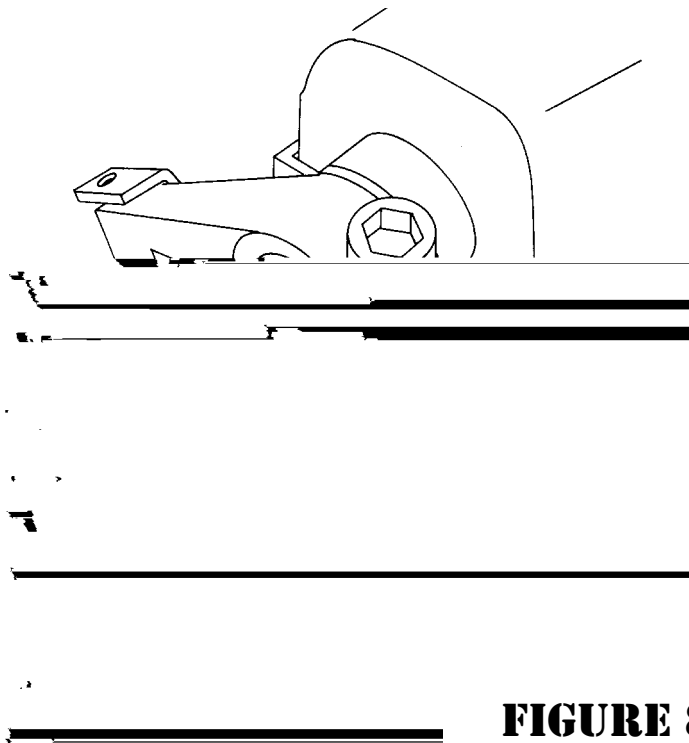


FIGURE 8

U.S. BLINDSTITCH MACHINE CO.

IS A DIVISION OF NEW YORK SEWING MACHINE INC.

8555 Tonnel Avenue, Unit 3, North Bergen, NJ 07047 • www.usblindstitch.com

Tel: 201-809-2009 • 1-800-225-2852 • FAX: 201-861-9201 • email: machines@nysmac.com

9. After all the necessary adjustments have been made, tighten all set screws and the lock nut and recheck all the adjustment points. Referring to **Figure 9**, the looper should now clear the chain-off pin (“D”), feeder (“E”), looper slot (“F”), needle, and pass over the needle in the correct position to pick up the loop.

B. REPLACING THE NEEDLE GUIDE

1. After considerable service, it may be expected that the wearing action of the needle will cause a sharp edged groove to form on the needle guide (**item “G” in Figure 9**).

This condition can cause thread breakage and uneven penetration. When this happens the guide should be replaced. The needle guide was specifically designed as a readily replaceable wear plate to prevent damage to the presser foot from the action of the needle.

2. Loosen the needle guide attaching screw (**item “A” in Figure 9**) and remove the worn needle guide. Clear out any lint or dirt that may have accumulated under the old guide and insert the new guide. Insure that the new guide is seated flush with the top and side of the presser foot and then retighten the attaching screw. Slowly turn the handwheel in the direction away from the operator and check to insure that the new guide fits properly under the needle and that no interference has been introduced between the guide and the looper.

C. REPLACING THE SHOE

1. The shoe, (**item “E” in Figure 8**), also known as a cloth retainer, normally will not required replacement. However, in the event of wear due to the particular fabrics being used, or if the shoe or spring suffers any damage, they may be readily replaced.

2. The first step is to remove the complete front guide assembly by unscrewing the front guide holder attaching screw (**item “A” in Figure 8**). Next loosen the shoe pin and the shoe eccentric barrel lock screws, (**item “B” Figure 8**), and slide out the shoe pin (**item “F”**), shoe and retaining spring (**item “G”**). Before removing these components it is advisable to note the manner in which the spring is assembled so that it may be reinstalled in the same way.

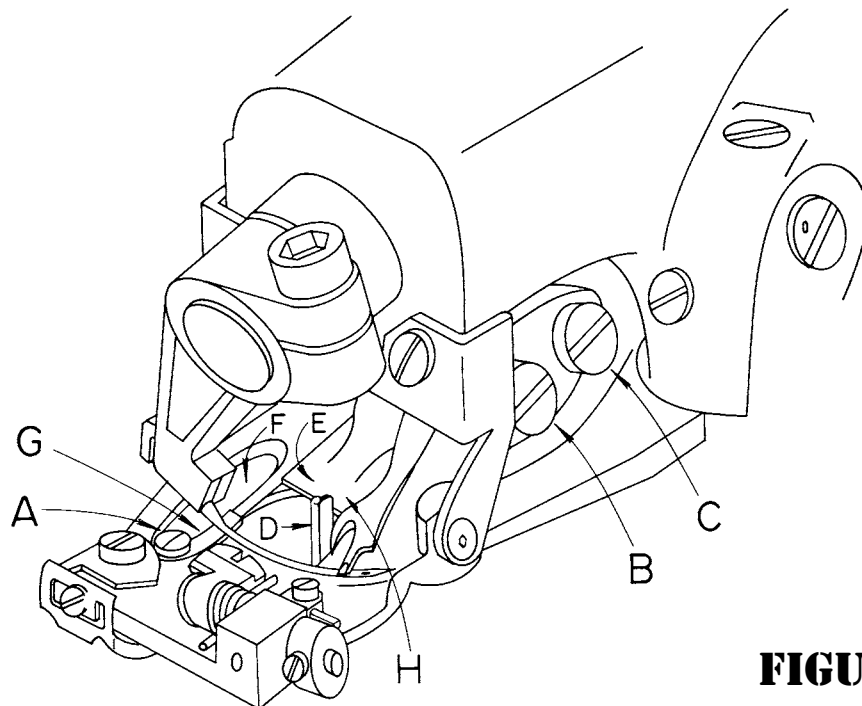


FIGURE 9

U.S. BLIND STITCH MACHINE CO.

IS A DIVISION OF NEW YORK SEWING MACHINE INC.

8555 Tonnelle Avenue, Unit 3, North Bergen, NJ 07047 • www.usblindstitch.com
Tel: 201-809-2009 • 1-800-225-2852 • FAX: 201-861-9201 • email: machines@nysmac.com

3. When replacing an old shoe, make sure that the replacement shoe properly fits the pin without binding and without excessive looseness. In the event that the pin has worn and does not fit the new shoe properly, it should be replaced at the same time as the shoe-pin. After replacing the shoe, shoe pin spring into shoe eccentric barrel, retighten screws (*item "B" Figure 8*), and check to insure that the center of the shoe is lined up with the center of the rib. Also insure that the shoe clears both sides of the opening of the presser foot.

4. In and out position of shoe should now be checked. For light fabrics, shoe should be as close to needle as possible. For heavy fabrics with seam, shoe should be set back as far as possible from needle. To move shoe in and out turn eccentric barrel (*item "I" Figure 8*). After the correct location is established, be sure to tighten screws, (*item "B" Figure 8*).

4A. An additional shoe adjustment is also possible. The height of the shoe can now be controlled, (*item "H" in Figure 8*). This is a tapered pin and position can be adjusted so that the shoe, whenever required, can be controlled as far as elevation is concerned. By moving the tapered pin in or out the shoe can be kept from pressing down on some fabrics which require little, if any shoe pressure. By having this control, it sometimes will aid in penetration of difficult fabrics. The normal position of the shoe, when set properly on most fabrics, is that the shoe will show movement on the penetration cycle on one ply of fabric.

D. REPLACING THE CHAIN OFF PIN

1. After considerable service, it may become necessary to replace the chain off pin, (*Item "D" in Figure 7*).

2. Remove the chain off pin attaching screw and remove the chain off pin, clean out any lint or dirt that may have accumulated. Attach the new chain off pin, using the screw previously removed. Insure that the chain off pin is against the side and forward edge of the slot in the presser foot, and then tighten the screw.

U.S. BLINDSTITCH MACHINE CO.

IS A DIVISION OF NEW YORK SEWING MACHINE INC.

8555 Tonnel Avenue, Unit 3, North Bergen, NJ 07047 • www.usblindstitch.com

Tel: 201-809-2009 • 1-800-225-2852 • FAX: 201-861-9201 • email: machines@nysmac.com

E. REPLACING THE FEEDER

1. In the event that the machine develops difficulty by failing to properly feed the work, a worn feeder is frequently found to be the cause. After considerable service, especially with certain hard fabrics, the feeder teeth have a tendency to become dull, and the feeder should be replaced. In order to remove the old feeder, remove the front feeder attaching screw (*item "B" in Figure 9*) and loosen the rear feeder attaching screw (*item "C" in Figure 9*). The old feeder may then be slid out of place. Insert the new feeder under the rear screw and replace the front screw.

2. Before tightening the attaching screws check to see that the feeder is set to the proper depth. Referring to *Figure 10* this should be approximately $\frac{1}{32}$ " (.795mm) below and parallel to the bottom of the presserfoot for all light and medium weight fabrics. For heavy fabrics, the setting should be approximately $\frac{1}{16}$ " (1.59mm) below and parallel to the bottom of the presserfoot. These dimensions are intended as guides and may be modified as required by the specific fabrics. Once the proper depth is established, rotate the handwheel slowly in a direction away from the operator and check to insure that the feeder clears the looper (*see Figure 9, Point "H"*) and also clears both sides of the feeder slot in the presserfoot. Firmly tighten the attaching screws (*Figure 9, Items "B" & "C"*) before resuming sewing.

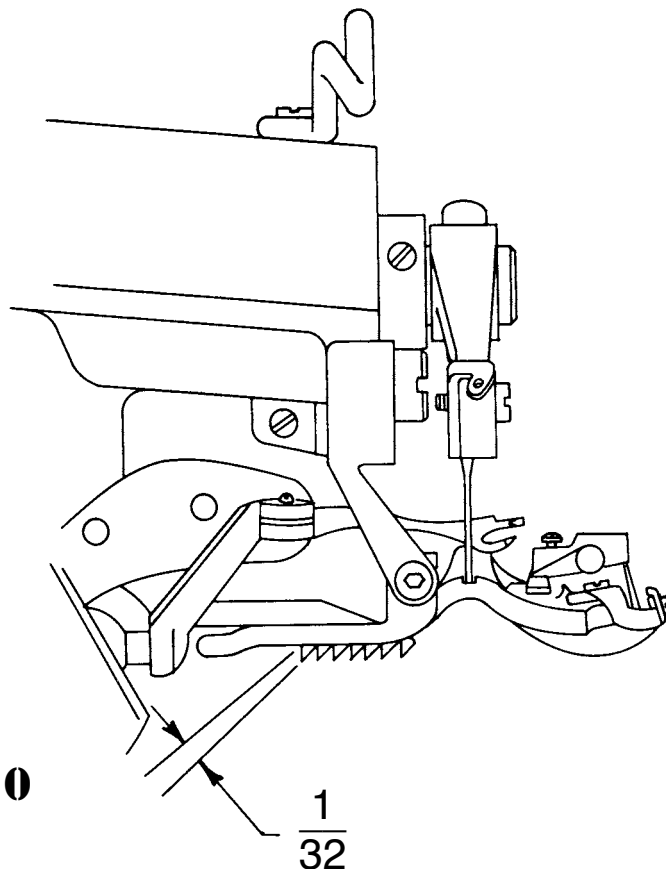


FIGURE 10

U.S. BLIND STITCH MACHINE CO.

IS A DIVISION OF NEW YORK SEWING MACHINE INC.

8555 Tonnelle Avenue, Unit 3, North Bergen, NJ 07047 • www.usblindstitch.com

Tel: 201-809-2009 • 1-800-225-2852 • FAX: 201-861-9201 • email: machines@nysmac.com

A Machine is Only as Good as its NEEDLE!

Don't Take Chance – Avoid Trouble

Top quality sewing demands top quality machines equipped with top quality needles to achieve perfect results.

Peak efficiency in today's high-speed sewing of synthetics, and wash and wear fabrics is accomplished only with needles of superior quality and performance.

Imitations or substitutes are a costly compromise. Pennies saved on inferior needles only prove to be expensive dollars in the long run.

The quality of U.S. Needles is, in fact, a matter of world-wide recognition and cannot be duplicated. The confidence of our customers in U.S. Needles is the knowledge that quality is always and has been foremost in our products.

For durability and freedom from breakage, U.S. Needles are unequalled. Their uniform construction, carefully controlled finish and curvature assure efficient, economical stitching.

**BE SURE TO USE ONLY
GENUINE U.S. NEEDLES**

**GENUINE
U.S. NEEDLES**
U.S. BLINDSTITCH
MACHINE CO.
8555 Tonnelle Ave., Unit 301
North Bergen, NJ 07047
1-800-225-2852
Tel: 201-809-2009
Fax: 201-861-9201

Look for this Label
on all parts

The same precision construction and working perfection exists in all U.S. Machine Parts.

BE SURE TO GET U.S. – ACCEPT NO SUBSTITUTE

U.S. BLINDSTITCH MACHINE CO.

IS A DIVISION OF NEW YORK SEWING MACHINE INC.

8555 Tonnelle Avenue, Unit 3, North Bergen, NJ 07047 • www.usblindstitch.com
Tel: 201-809-2009 • 1-800-225-2852 • FAX: 201-861-9201 • email: machines@nysmac.com

U.S. BLINDSTITCH

Machines are Made with Pride in the U.S.A.

MEN'S WEAR TROUSERS, BELT LOOP SERIES

**U.S. Model 1099-BL
U.S. Model 99-BLP-1
U.S. Model 1099-LP-1
U.S. Model 1099-PBW-1
U.S. Model 1099-BS
U.S. Model 1099-WB
U.S. Model 1099-SF-HD**

WOMEN'S WEAR DRESSES, BLOUSES NEGLIGÉES

**U.S. Model 1118-H, S, HK
U.S. Model 1118-1
U.S. Model 1099-PR**

SUITS AND COATS

**U.S. Model 1118-C
U.S. Model 1099-CS
U.S. Model 638, 638-1
U.S. Model Special 638**

ACTIVE WEAR AND CASUAL WEAR

**U.S. Model 1118-C
U.S. Model 1099-KS
U.S. Model 1118-K**

FORMAL WEAR, HEAVY DUTY AND INDUSTRIAL RENTAL

**U.S. Model 1099-PB-1
U.S. Model 1099-PBW-1
U.S. Model 1099-SF**

INTERIOR TEXTILES (DRAPERIES, CURTAINS, BEDSPREADS)

**U.S. Model 1099-CS
U.S. Model 1118-9
U.S. Model 927**

DRY CLEANERS, DRESSMAKERS, ALTERATION WORKROOMS AND THREAD TRIMMER

**U.S. Model 1118-2
U.S. Model 1099-J
U.S. Model 928-T**

**Over 50 Specialty Machines Available!
CALL 1-800-225-2852 for Catalog and Free
Showroom Display 24"x30" Color Poster!**



**LOOK FOR THIS LOGO...
FOR GENUINE
U.S. BLINDSTITCH
MACHINES & PARTS**



**U.S. Model
1118-C**

**U.S. Model
1099-CS1HH**

**We have the largest
inventory of genuine
U.S. BLINDSTITCH
Machines and Parts
anywhere!**

**U.S. Model
1099-BL**



U.S. BLINDSTITCH MACHINE COMPANY
8555 Tonnelle Avenue, Unit 301, North Bergen, NJ 07047
Tel: 201.809.2009 • Toll Free: 1.800.225.2852 • Fax: 201.861.9201
Web Site: www.nysmac.com • E-mail: machines@nysmac.com

